

DEM2 Dome Splice Enclosure

Fibre optic dome splice enclosure DEM2 protects fibre optic splice while providing fast and easy no-cost, re-entry. It can be installed on aerial, in manholes, ducts and mounted on pole. The Enclosure provides reliable sealing performance, and fibre splicing point protected in a ribbed polypropylene dome that has high mechanical and environmental features. With its seven entry ports, the enclosure is applicable to in-line or mid-span branching method. In addition, a great quantity of fibre optic cable can make an excellent environment performance. With DEM2 Dome Splice Enclosure, you can improve your network system to the higher level.

Applications

- Outdoor applications
- Telecommunication networks
- CATV
- Data transmission
- Industry control
- Aerial, buried or pipe-lined environment

Features

- Reliable moisture-tight housing with hot-melt type sealing
- Ribbed body structure protects against impact and compression
- Efficient fibre management by splice tray holding structure
- Ease of use for closure assembly
- Easy clamping of tension member and grounding
- Great quantity of fibre optic cable can make an excellent environment performance

Specifications

ELEMENT	VALUE
Size	240 x 530 mm
Weight	5.5kg approx.
Raw material	Dome, clamp, base: Modified PP + GF Tray: ABS Metal parts: Stainless steel
Intel port	7 (1 Oval, 6 Round)
Cable Diameter	Oval port: $\varnothing 10 \sim \varnothing 25$ mm; Round ports: $\varnothing 6 \sim \varnothing 25$ mm
No. of Splice Tray	12
Max. Capacity of Splice Tray	24F
Splicing Capacity	288F
Base sealing method	Heat-shrink
IP Grade	IP 68

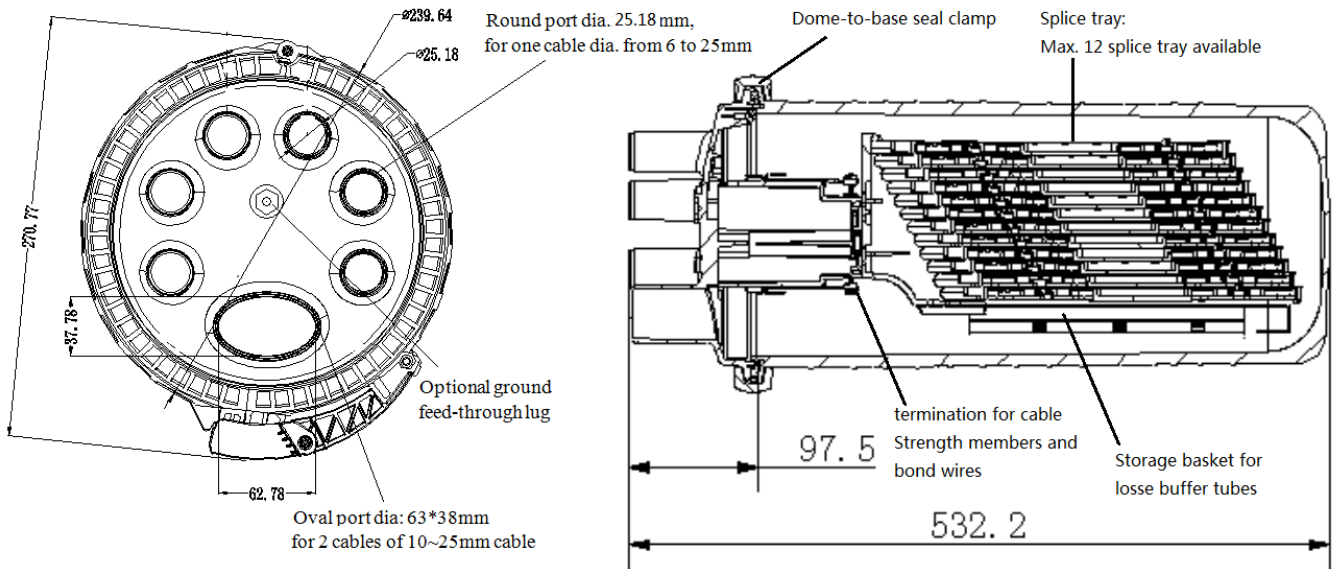
Technical Specifications

ELEMENT	VALUE
Working Temperature	-40°C ~ +65°C
Atmospheric Pressure	62~106Kpa
Axial Tension	>1000N/1min
Flatten Resistance	2000N/100 mm (1min)
Insulation resistance	2*104M Ω
Voltage Strength	15KV(DC)/1min, no arc over or breakdown
Temperature recycle	under -40°C~+65°C, with 60(+5) Kpa inner pressure, in 10cycles; Inner pressure shall decrease less than 5 Kpa when closure turn to normal temperature.
Durability	25 years

Ordering Information

DESCRIPTION	PART NUMBER
Datatronix DEM2 Fibre Optic Dome Enclosure 144 splice	DEM2-144
Datatronix DEM2 Fibre Optic Dome Enclosure 288 splice	DEM2-288

Technical Drawing



Additional Images

