

## Fiber Optic Dome Enclosure 10-14



### Description

Up to 144 Fibers. The dome enclosure is suitable for protecting fiber cable splices in branching applications. Its well-engineered, injection-molded outer body makes it impenetrable to the elements. It can protect splices and ensure reliability with usage in ambient temperatures from  $-40^{\circ}\text{C}$  to  $+65^{\circ}\text{C}$ . It can be placed in aerial, wall mounted, or duct mounted locations.

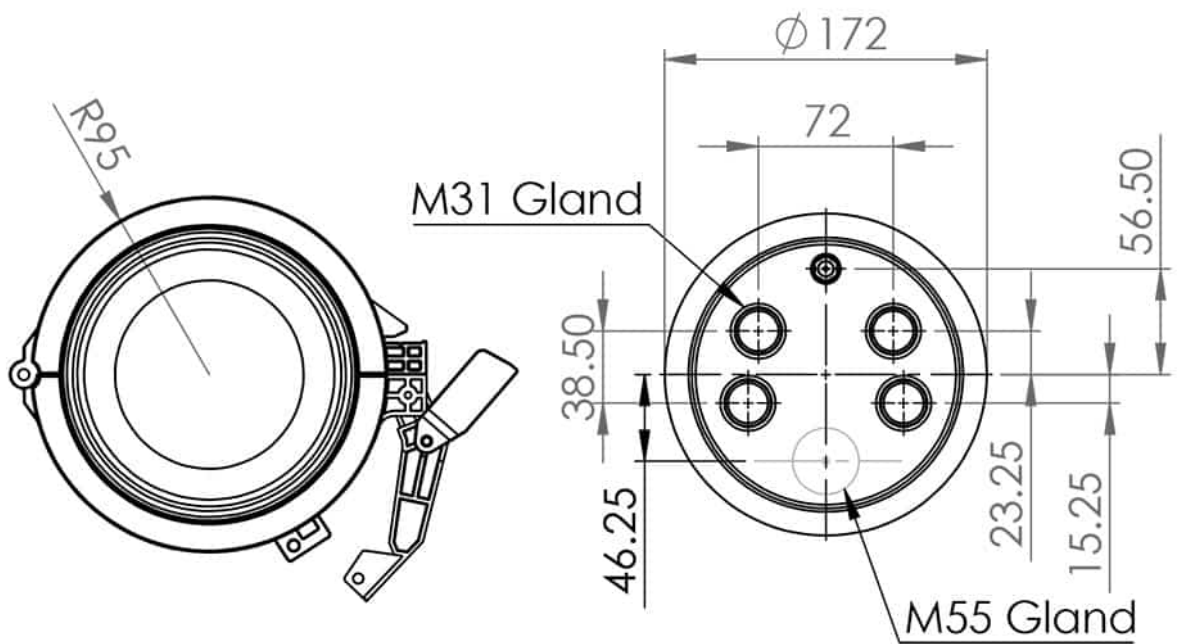
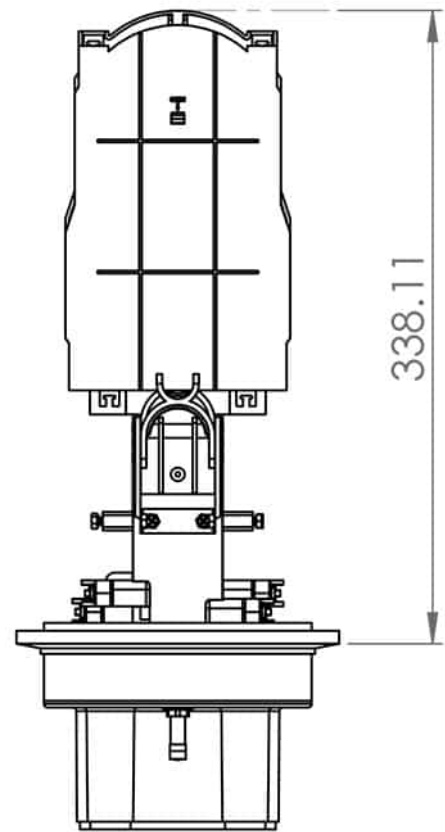
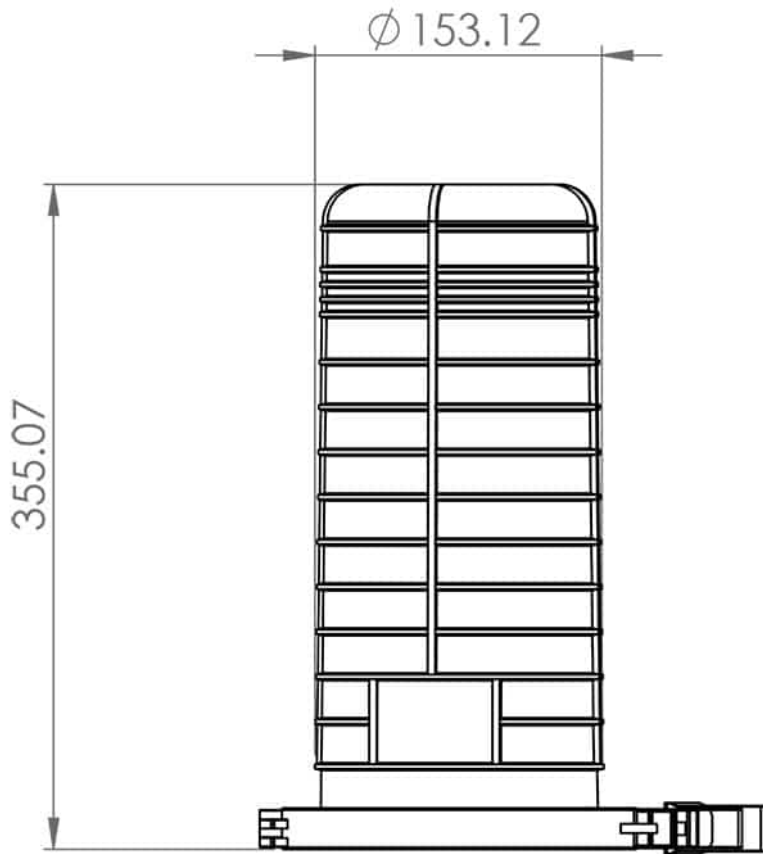
### Features and Benefits

- Holds up to 144 fibers
- Cable entry/exit, 1 oval and 4 round
- Termination and splice kit included
- Ideal for cable repair
- Pole mounting kit included
- Suitable for aerial, underground duct or manhole applications
- Easy to re-enter
- Integrated pressure valve
- Integrated seal, airtight and waterproof
- RoHS compliant
- Can be used in through, branch or mid-span splice locations
- IP68 to 1.5mtr

## Specifications

| PRODUCT SPECIFICATION                 |                  |
|---------------------------------------|------------------|
| Maximum Single Fiber Count            | 24 to 144        |
| Maximum Fibers Per Tray               | 24               |
| Maximum Number Of Trays               | 6                |
| Number Of Cable Entry Points          | 4                |
| Number of Uncut Cable Entry           | 1                |
| Suitable For Cable Diameter           | Ø8mm to 17.5mm   |
| Sealing Rating                        | IP68             |
| Sealing Method For All Entry And Exit | Mechanical       |
| Height                                | 450mm            |
| Width                                 | Ø230mm           |
| Weight                                | 3.8kg to 4.2kg   |
| Colour                                | Black            |
| Material                              | ABS              |
| RoHS Compliant                        | Yes              |
| Optimal Operating Temperature         | -40 °C to +65 °C |

## Technical Drawing



## Ordering Information

| Code       | FM Model |            |
|------------|----------|------------|
| FXEAXBXXX- | 10ZZ     | 24 Splice  |
|            | 11ZZ     | 48 Splice  |
|            | 12ZZ     | 72 Splice  |
|            | 13ZZ     | 96 Splice  |
|            | 14ZZ     | 144 Splice |

| PART NUMBER    | DESCRIPTION                                     | LEGACY PART NUMBER |
|----------------|---|--------------------|
| FXEAXBXXX-10ZZ | OSP Dome Black 24 Splice Mechanical Gland Dome  | DOME10             |
| FXEAXBXXX-11ZZ | OSP Dome Black 48 Splice Mechanical Gland Dome  | DOME11             |
| FXEAXBXXX-12ZZ | OSP Dome Black 72 Splice Mechanical Gland Dome  | DOME12             |
| FXEAXBXXX-13ZZ | OSP Dome Black 96 Splice Mechanical Gland Dome  | DOME13             |
| FXEAXBXXX-14ZZ | OSP Dome Black 144 Splice Mechanical Gland Dome | DOME14             |

## Related Products

