

## Fiber Optic Dome Enclosure 01-04



### Description

Up to 144 Fibers. The dome enclosure is suitable for protecting fiber cable splices in branching applications. Its well-engineered, injection-molded outer body makes it impenetrable to the elements. It can protect splices and ensure reliability with usage in ambient temperatures from  $-40^{\circ}\text{C}$  to  $+65^{\circ}\text{C}$ . It can be placed in aerial, wall mounted, or duct mounted locations.

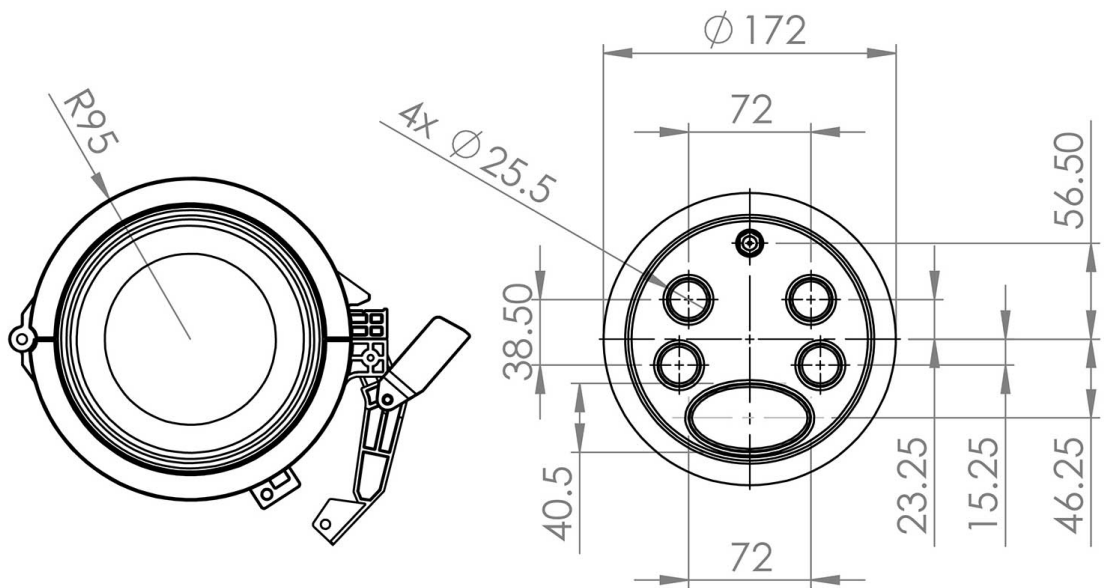
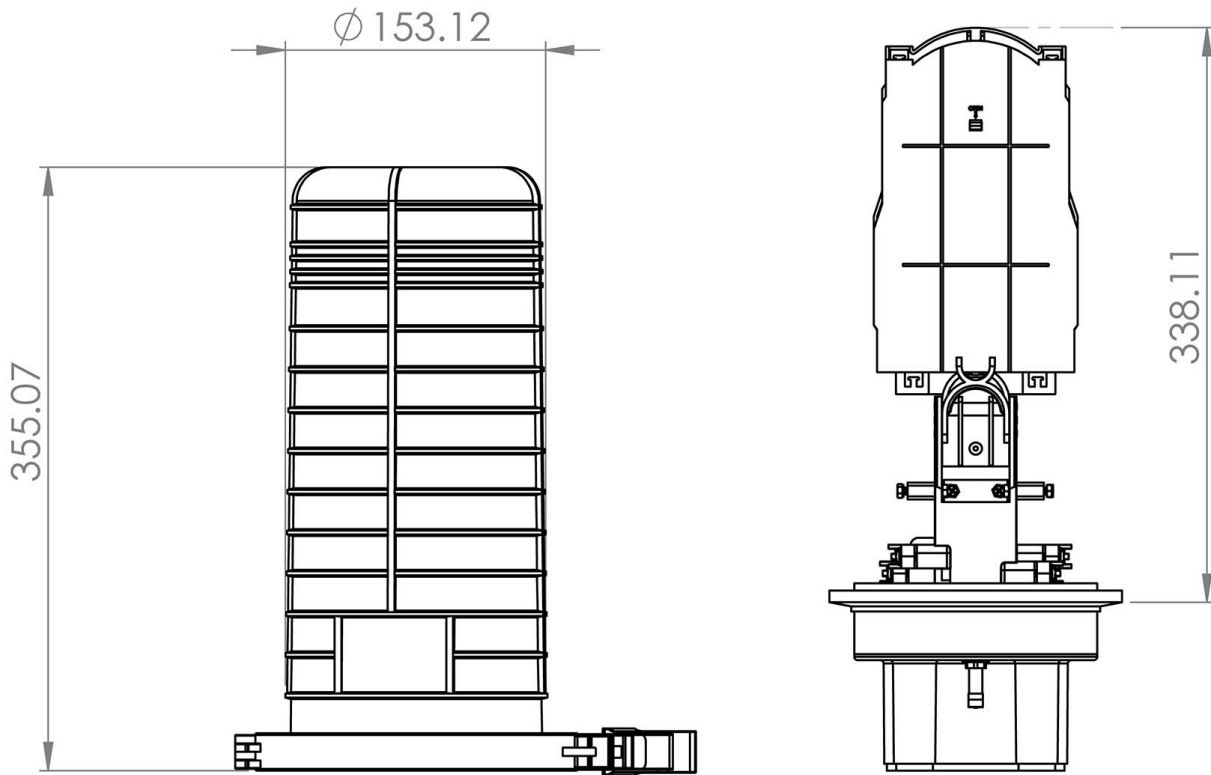
### Features and Benefits

- Holds up to 144 fibers
- Cable entry/exit, 1 oval and 4 round
- Termination and splice kit included
- Ideal for cable repair
- Pole mounting kit included
- Suitable for aerial, underground duct or manhole applications
- Easy to re-enter
- Integrated pressure valve
- Integrated seal, airtight and waterproof
- RoHS compliant
- Can be used in through, branch or mid-span splice locations
- IP68 to 1.5mtr

## Specifications

PRODUCT SPECIFICATION	
Maximum Single Fiber Count	48 to 144
Maximum Fibers Per Tray	24
Maximum Number Of Trays	6
Number Of Cable Entry Points	4
Number of Uncut Cable Entry	1
Suitable For Cable Diameter	8mm to 17.5mm Ø
Sealing Rating	IP68
Sealing Method For All Entry And Exit	Heat Shrink
Height	450mm
Width	223mm
Weight	3.8kg to 4.2kg
Colour	Black
Material	ABS
RoHS Compliant	Yes
Optimal Operating Temperature	-40 °C to +65 °C

## Technical Drawing



## Ordering Information

Code	FM Model	
FXEAXBXXX-	01ZZ	48F Heat Shrink Dome
	02ZZ	72F Heat Shrink Dome
	03ZZ	96F Heat Shrink Dome
	04ZZ	144F Heat Shrink Dome

PART NUMBER	DESCRIPTION	LEGACY PART NUMBER
FXEAXBXXX-01ZZ	OSP Dome Black 48F Heat Shrink Dome	DOME01
FXEAXBXXX-02ZZ	OSP Dome Black 72F Heat Shrink Dome	DOME02
FXEAXBXXX-03ZZ	OSP Dome Black 96F Heat Shrink Dome	DOME03
FXEAXBXXX-04ZZ	OSP Dome Black 144F Heat Shrink Dome	DOME04

## Additional Images





## Related Products

